



# INTRODUCING

## ADDAPT 3v2.0 with Real Time Trending & Optional Blockviewer



### LIVE PLOTTING OF REAL TIME SCREEN DATA

- Plot analog and digital signals
- Store up to 24hrs of data in a historical file
- Two X markers to calculate and display signal changes

### BLOCKVIEWER

- View drive parameters in realtime on the drive drawing
- Tune parameters on the drawing and watch the results change

### OPERATING SYSTEMS SUPPORT

- From Windows 7 to Windows 10: 32 and 64 bit compatible

### PRODUCTIVITY ENHANCEMENTS

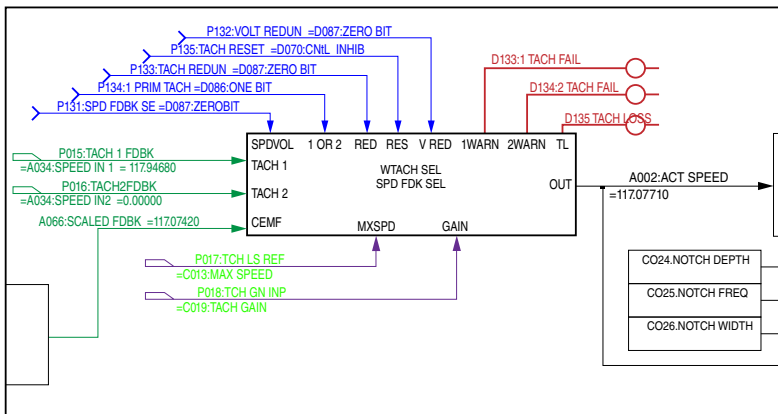
- New Real Time Screen Data Historian
  - 3000 points per signal; 81ms to 8.1s period
  - Multiple screens in one window
  - Continued streaming even when communications lost to a drive
  - Save and email to Nidec-Avtron for support
- Multi-Windowing of Drive Parameter Tables
- Compatible with ADDvantage-32™ or ADDvantage-32 Plus™ Drives

### HARDWARE REQUIREMENTS

- Computer with multicore processor
- 4GB RAM (32-bit) or 8GB RAM (64-bit)
- 200 MB of available hard disk space
- Windows 7, 8, or 10
- Video card that supports DirectX version 9
- .Net Framework 4.5

### PRICE

- New license \$1900
- Upgrade from ADDapt 2000 to the new ADDapt 3v2.0 for \$900.00 per license
- Free update from prior ADDapt 3 versions
- Optional Blockviewer feature \$1100
  - Feature is compatible with ADD32 Plus drives only



Close up of Blockviewer

### AVAILABLE NOW

**TO DOWNLOAD A TRIAL VERSION GO TO:**

[www.nidec-avtron.com/drivesystems/downloads](http://www.nidec-avtron.com/drivesystems/downloads)

## Nidec Avtron Automation Corporation

7555 East Pleasant Valley Road | Independence, Ohio 44131

P: 216.642.1230 | [www.nidec-avtron.com](http://www.nidec-avtron.com)