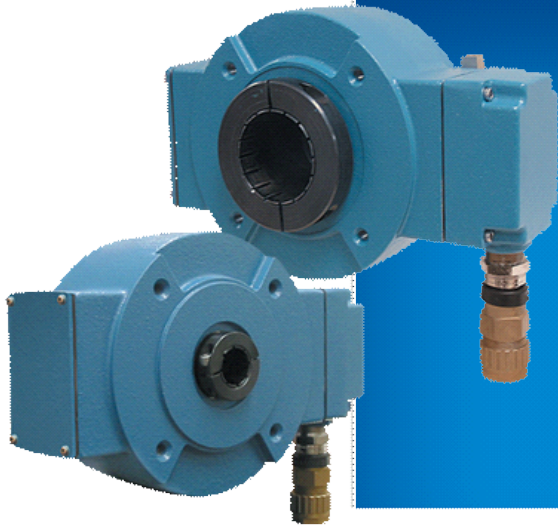


Avtron M6 Hazardous Area Encoders



Obsolete- Replaced by M6C Encoder

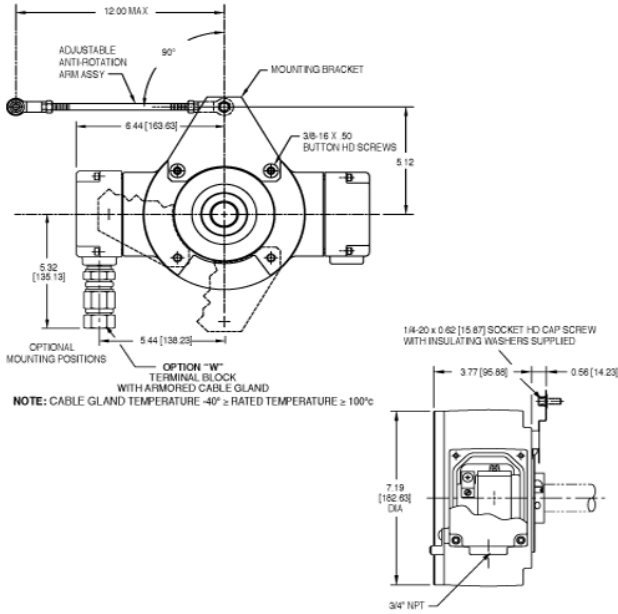
Obsolete- Replaced by M6C Encoder

M6

All Avtron M6 encoders are replaced by the [M6C model](#).

- | M6 is directly replaced by the M6C model

OUTLINE DRAWING



MORE M6 ADVANTAGESM6 SPECIFICATIONS

- Obsolete-replaced by M6C
- 1 Year No-Hassle Warranty

Operating Power: 5-24 VDC; Current 120mA, no load

Output Format: A,A-, B,B-; Optional Marker Z,Z-

Frequency Range: 0 to 100 KHz

PPR: 240-1200

Speed:

- 5000 RPM Max. Std., 1" or 1 1/8" shaft

Temperature: 80°C to -40°C (-40°C optional, -20°C standard)

Chemical: Polyurethane enamel paint protects against salt spray, mild acids, and bases

Explosion Protection:

- ATEX 0539 II 2G
- Ex de IIC T4 (Tamb -20° to +80°C Standard, Tamb -40° to +80°C Optional)

Weight: 16 lbs./7kg.

All dimensions are in inches [millimeters]. Specifications and features are subject to change without notice.

Check out our website for more detailed specifications, drawings, and installation instructions. www.avtronencoders.com

SELECTION GUIDE

M6 PART NUMBERS AND AVAILABLE OPTIONS								
Model	Bore Size	Mounting Style	Line Driver	Left & Right Output Range	Base PPR	Marker	Connector	Modifications
M6-	0- Non-Standard 4- 1" 5- 1 1/8" 6- 2" (Not Available) 7- 2 3/8" (Not Available)	S- End of Shaft	1- 5 to 24 VDC 2- 5 to 18 VDC 3- 12 to 24 VDC*	X- None L- Low Range (Base PPR x 1/2) M- Medium Range (Base PPR x 1) H- High Range (Base PPR x 2)	48- 480 51- 512 60- 600	Z- Marker -- None	T- Conduit Box, Terminal Block, 3/4" NPT W-Conduit Box, Terminal Block and Wire Gland	000- None 001- Low Temp (-40°C) 003- Torque Arm B28390 005- Low Temp (-40°C) & Torque Arm

* Units shipped prior to 2009 were rated 18 to 24 volts. Refer to ID tag on the encoder for specific input voltage requirements.

Nidec

**AVTRON
ENCODERS**

Nidec-Avtron Makes the Most Reliable Encoders in the World

8901 E. PLEASANT VALLEY ROAD • INDEPENDENCE, OHIO 44131-5508
TELEPHONE: (1) 216-642-1230 • FAX: (1) 216-642-6037
E-MAIL: tachs@nidec-avtron.com • WEB: www.avtronencoders.com

CE

All dimensions are in inches [millimeters]. Specifications and features are subject to change without notice. EU-SMART™, SMARTSafe™, SMARTach II™, THIN-LINE™, THIN-LINE II™, WIDE-GAP™, and BULLSEYE32™ are trademarks of Nidec Avtron Automation. All other trademarks and registered trademarks are the property of their respective owners.