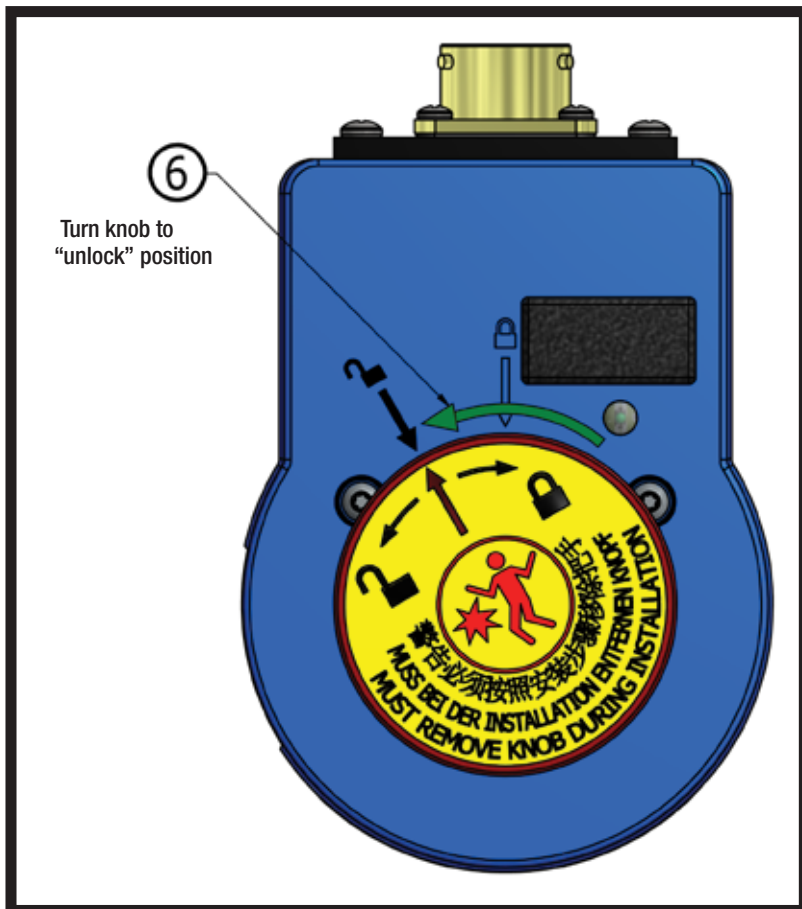
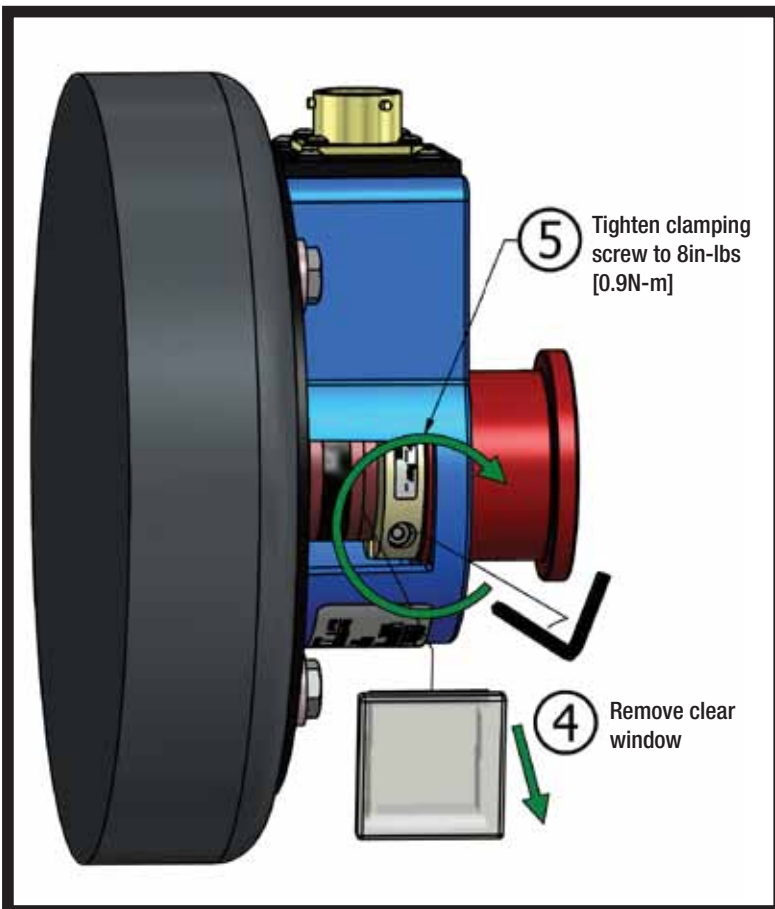
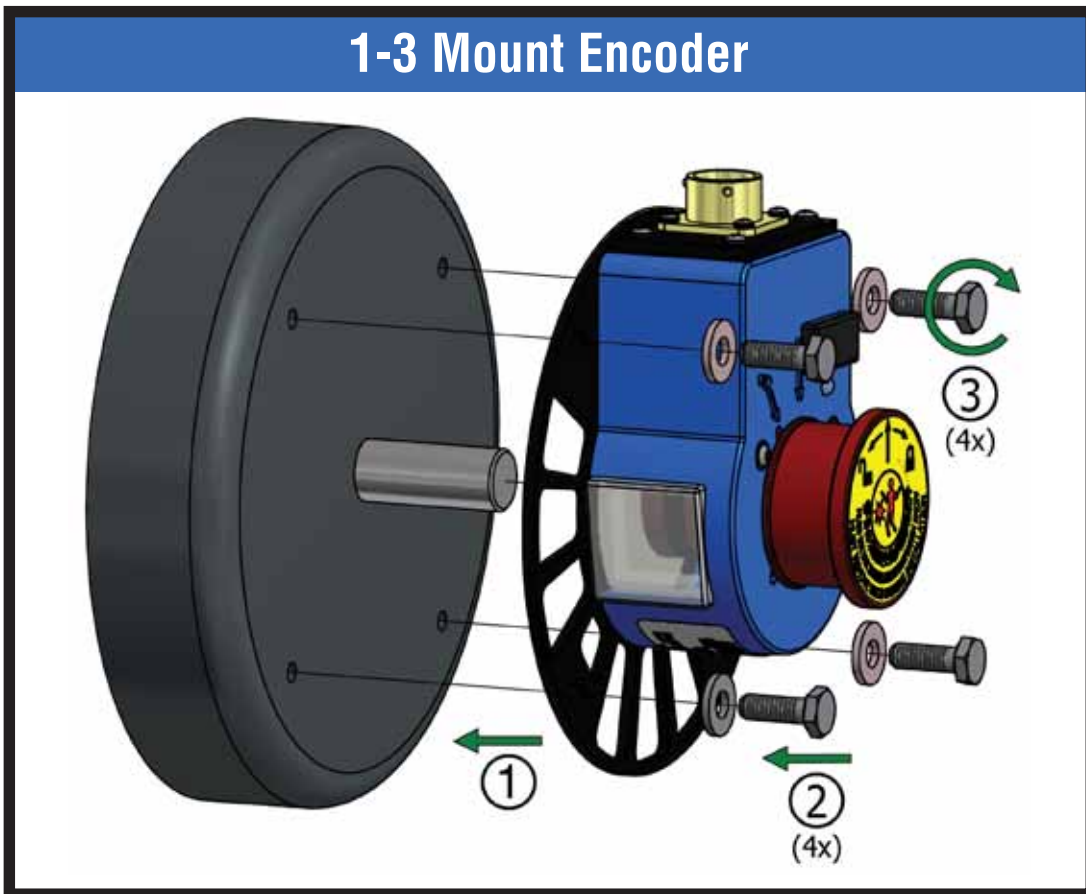
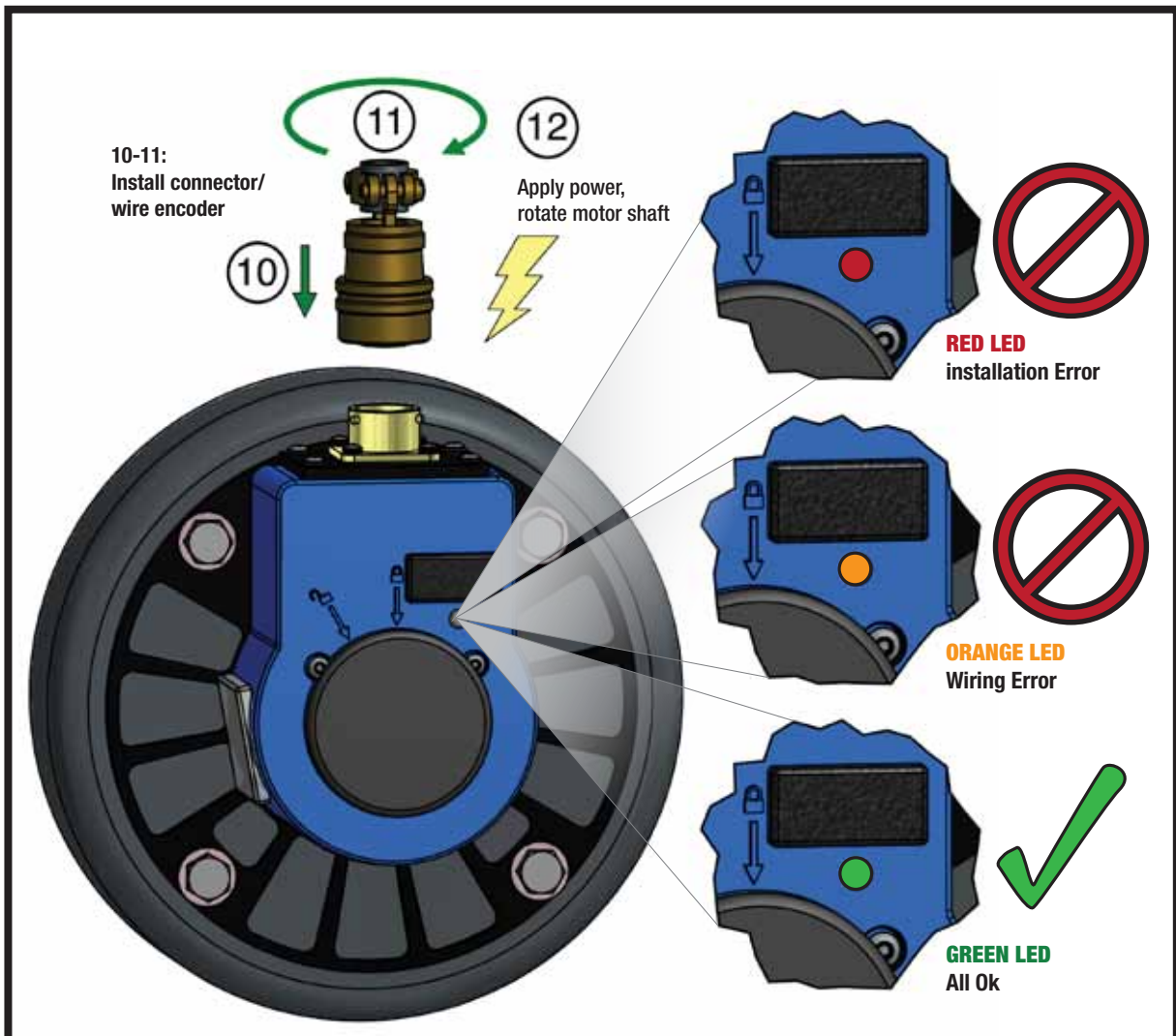
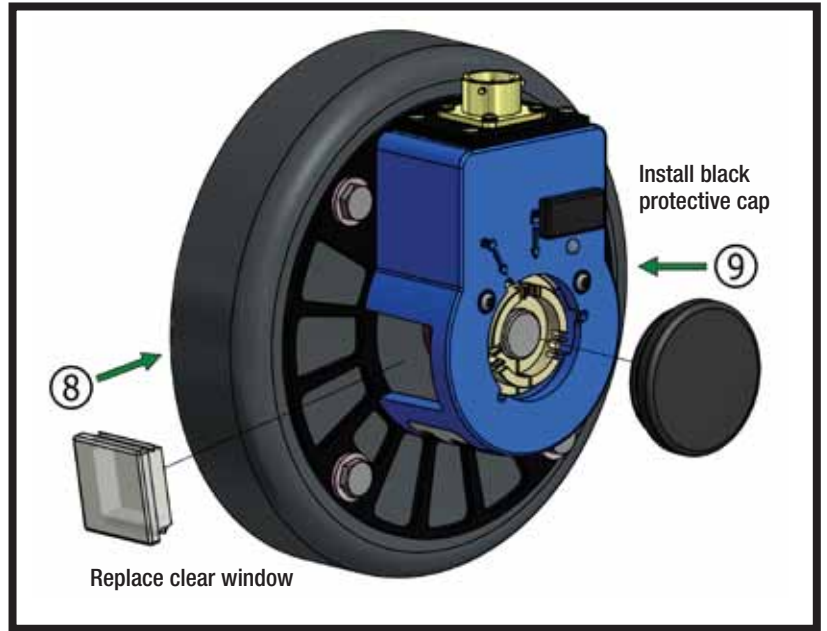
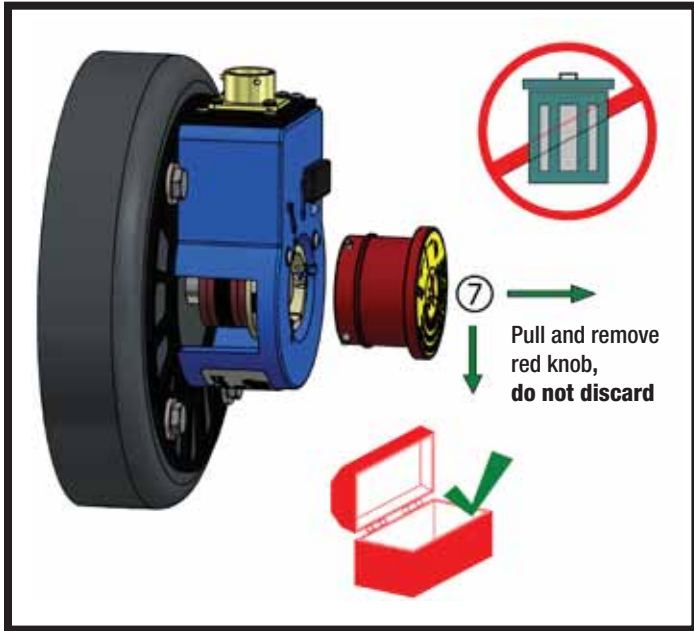


# AV32 Quickstart Installation Guide

## 1-3 Mount Encoder

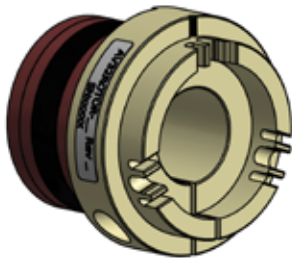
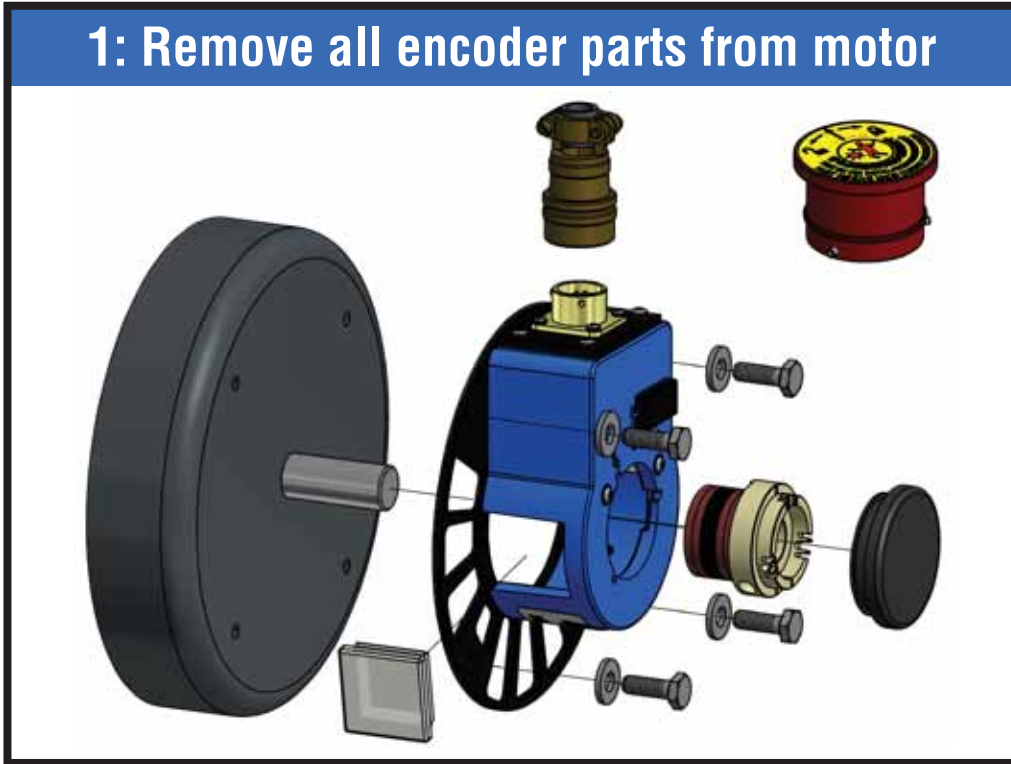


# Quickstart Installation Guide (Part 2)



# Removal Instructions

## 1: Remove all encoder parts from motor



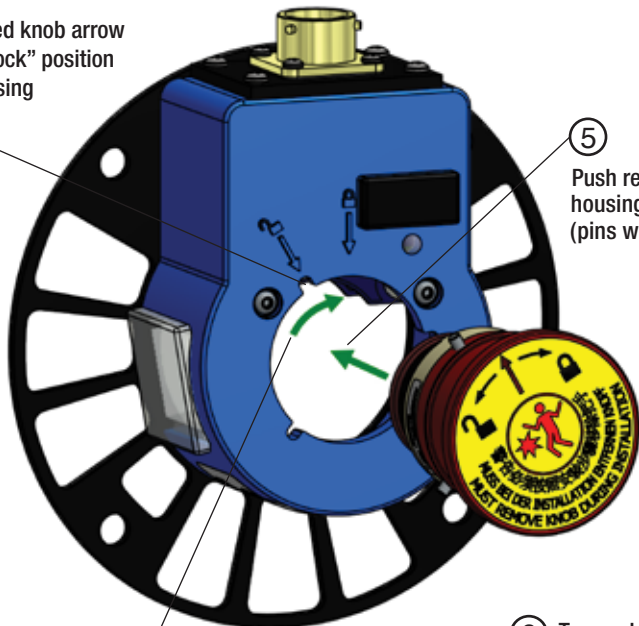
② Align rotor arrow to knob line & pin



③ Snap rotor onto red knob



④ Align red knob arrow to "unlock" position on housing



⑤ Push red knob into housing firmly (pins will go inside)

⑥ Turn red knob to "lock" position



⑦ Encoder is ready for reinstallation