



Nidec-Avtron Makes the Most Reliable Encoders in the World

8901 E. PLEASANT VALLEY ROAD • INDEPENDENCE, OHIO 44131-5508
TELEPHONE: (1) 216-642-1230 • **FAX:** (1) 216-642-6037
E-MAIL: tachs@nidec-avtron.com • **WEB:** www.avtronencoders.com

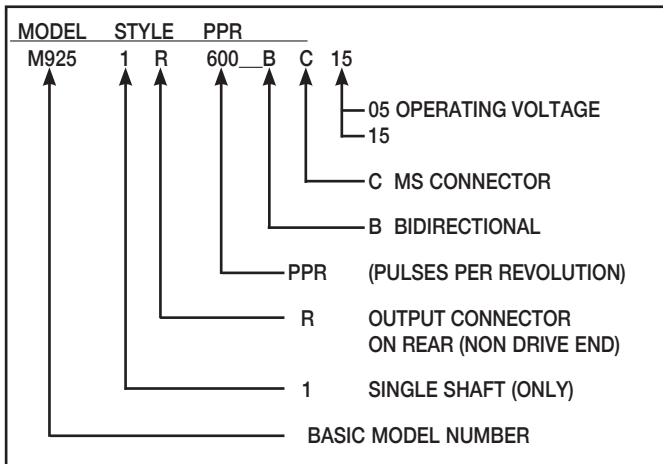
Pulse Generator Instructions

M925

DESCRIPTION

The Model M925 Pulse Generator is a zero-speed rotary transducer; that is, it can operate effectively down to zero RPM. The M925 generates a specific number of pulses for each rotation of its shaft. When the M925 is coupled to a machine, its output is directly proportional to process travel (pulse count) or speed (pulse rate). An internal 5/8 inch steel shaft and heavy-duty sealed bearings provide mechanical ruggedness required for industrial applications.

The M925 options and how they are incorporated in the M925 part number are shown below:



CAUTION

The M925 is often used for speed feedback in drive systems, where any failure can cause a machine shutdown. While the M925 is designed for continuous mill operation, it is important to follow proper procedures with this unit.

DO NOT force or drive a coupling onto the shaft. This can damage bearings so that a failure will happen at a later time.

REPAIR of defective units requires returning the unit to the factory, where there is special test equipment. Turn-around time is minimal, and charges are nominal for out-of-warranty units.

DO NOT connect grounded oscilloscope or any grounded instrument to M925 output.

DO NOT connect oscilloscope or any instrument common to any pulse generator connection other than common (Blk wire or pin A).

The pulse generator must be driven by a positive drive rather than a friction drive. Use a flexible coupling and align the shafts as accurately as possible. The pulse generator should not be subjected to any axial thrust.

M925 SPECIFICATIONS

	<u>+5 V OPERATING VOLTAGE</u>	<u>+15 V OPERATING VOLTAGE</u>
OPERATING POWER.....	+5 VDC ± 10%, 120 mA (N.L.)+12 TO +15 VDC, ± 10%, 120 mA (N.L.)
OUTPUT SIGNAL.....	TWO CHANNELS (A, B), IN QUADRATURE (TWO-PHASE, BIDIRECTIONAL) WITH COMPLEMENTS (Ā, B̄)TWO CHANNELS (A, B), IN QUADRATURE (TWO-PHASE, BIDIRECTIONAL) WITH COMPLEMENTS (Ā, B̄)
PULSES PER REVOLUTION.....	240, 360, 500, 600, 1000, 1024, 1200, 1800, 2000, 2048, and 2500 STANDARD. OTHER PPR'S AVAILABLE.240, 360, 500, 600, 1000, 1024, 1200, 1800, 2000, 2048, AND 2500 STANDARD. OTHER PPR'S AVAILABLE.
WAVE SHAPE.....	SQUARE WAVESQUARE WAVE
ØA TO ØB TRANSITION SEPARATION.....	15% MINIMUM15% MINIMUM
VOLTAGE OUTPUT.....	HIGH: 1.8 VOLT MIN. @ -40 mA SOURCE LOW: 0.5 VOLT MAX., 50 mA SINKHIGH: SUPPLY VOLTAGE MINUS 1.6 VOLT. -30 mA SOURCE LOW: 0.5 VOLT MAX., 16 mA SINK
FREQUENCY.....	75 KHz MAX.75 KHz MAX.
OUTPUT CONNECTIONS.....	MS CONNECTOR MATING PLUG: MS3106E18-1SMS CONNECTOR MATING PLUG: MS3106E18-1S
MECHANICAL SPEED RANGE.....	0 TO 3000 RPM (CONTINUOUS)0 TO 3000 RPM (CONTINUOUS)
STARTING TORQUE.....	2.2 Oz. - In. (TYP)2.2 Oz. - In. (TYP)
SHAFT INERTIA.....	0.1 Oz. - In. - Sec ²0.1 Oz. - In. - Sec ²
ACCELERATION.....	5000 RPM/Sec.5000 RPM/Sec.
(MAX.) COUPLING RECOMMENDED.....	ZERO BACKLASH, THOMAS DBZ OR EQUIVALENT. WHERE AXIAL END PLAY EXCEEDS +/- 0.020", USE THOMAS CCX OR EQUIVALENT.ZERO BACKLASH, THOMAS DBZ OR EQUIVALENT. WHERE AXIAL END PLAY EXCEEDS +/- 0.020", USE THOMAS CCX OR EQUIVALENT.
OPERATING TEMPERATURE.....	0° TO 140° F0° TO 140° F
WEIGHT.....	4 LBS.4 LBS.

Features subject to change without notice.

CAUTION

Do not force or drive coupling member onto the shaft, or damage to the bearings, or sensing system will result. Provide clearance between shaft end of M925 and the coupled driving shaft to allow for thermal expansion and end play.

For more details and special considerations in specifying and installing drive components, refer to separate installation instructions, Avtron Pulse Generator Handbook.

SPECIAL APPLICATION NOTES

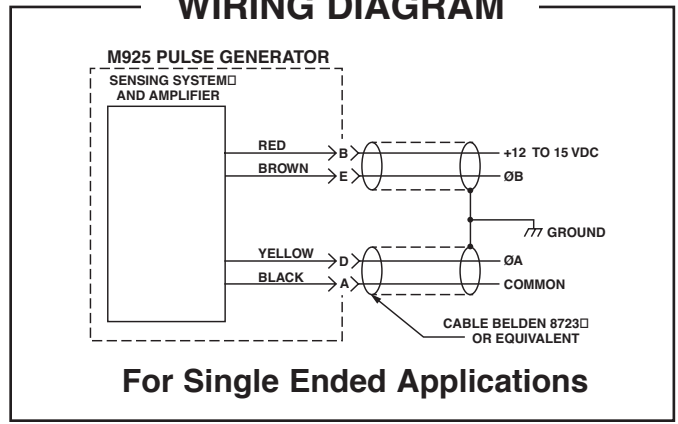
For bidirectional operation of the two-phase M925, proper phasing of the two output channels is important. Phase A channel leads phase B for clockwise rotation of the shaft as viewed from the anti-drive end of the housing.

Interconnection cables specified in the wiring diagrams below are based on typical applications. Reference system drawing for specific cable requirements where applicable.

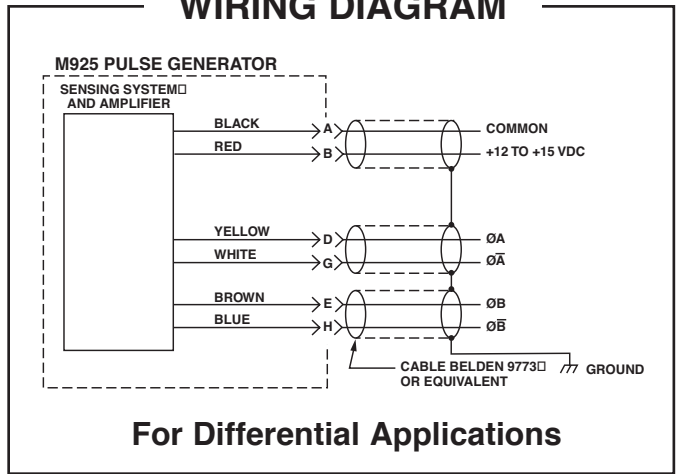
Physical properties of cable such as abrasion, temperature, tensile strength, solvents, etc., are dictated by the specific application.

General electrical requirements are: stranded copper, 22 thru 16 gauge, braid or foil with drain wire, 0.05 MF maximum total mutual or direct capacitance, outer sheath insulator, 1,000 ft. max. A typical installation might use Belden 8723 for single ended applications or Belden 9773 for differential applications. If used with K661, consult K661 manual.

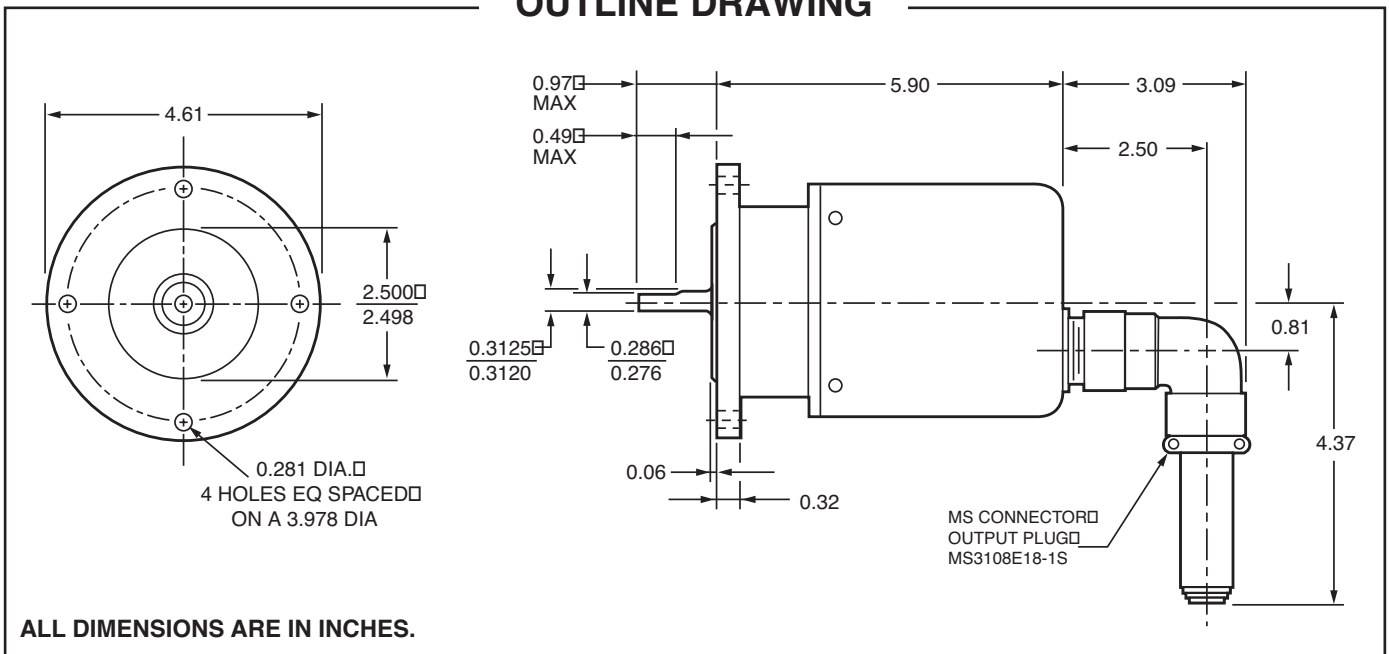
WIRING DIAGRAM



WIRING DIAGRAM



OUTLINE DRAWING



Avtron standard warranty applies. Copies available upon request.

