



8901 E. PLEASANT VALLEY ROAD
 INDEPENDENCE, OHIO 44131-5508
TELEPHONE: (1) 216-642-1230 • **FAX:** (1) 216-642-6037
E-MAIL: tachs@avtron.com • **WEB:** www.avtronencoders.com

Encoder Instructions

**M190A
 M192A/M192B
 INACTIVE DESIGN
 Replaced by Model AV850**

DESCRIPTION

The Avtron Model M190A, M192A and M192B SLAPTach™ Pulse Generators are designed to be compatible with the accessory mounting provisions of most DC motors. Both stub shaft and through shaft mountings are accommodated for motor frame sizes from 180 through 500. This space saving design eliminates the need for costly adapters and shaft couplings. It not only saves installation time but, more importantly, completely eliminates common failures resulting from poor coupling alignment.

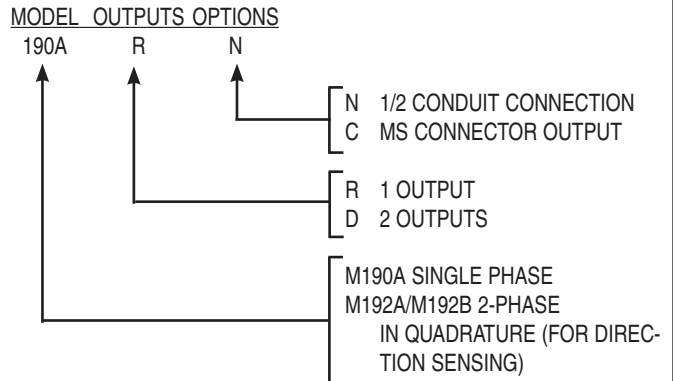
The magnetic pulse generating circuitry is completely encapsulated and immune to dirt and oil. One or two electrically isolated outputs with or without direction sensing capabilities are available. All outputs are zero speed; that is, they can work effectively down to zero RPM.

The Avtron SLAPTach™ Pulse Generator consists of two separate parts: a rotor and a stator housing. These precision machined parts, when mounted to the accessory end of a motor that conforms to NEMA MG 1-11.67

for Type FC Face Mounting, will function properly without further adjustment.

The available options for the M190A, M192A and M192B SLAPTach™ pulse generators and how they are indicated in the part number are shown below.

STATOR PART NUMBERS:



ACCESSORY SHAFT SIZE	STUB SHAFT			THROUGH SHAFT	
	ROTOR P/N	INSTALLATION HARDWARE KIT	GROUNDING KIT P/N	ROTOR P/N	INSTALLATION HARDWARE
1.1250/1.1245	B16782	B19084-1	A24379	B17088	NOTE1
1.3750/1.3745	—	—	—	B17089	NOTE1
1.6250/1.6245	—	—	—	B17090	NOTE1
1.8750/1.8745	—	—	—	B17091	NOTE1
2.1250/2.1245	B16783	B19084-2	A24381	B17092	NOTE1
2.3750/2.3745	B16784	B19084-3	A24382	B17093	NOTE1
2.8750/2.8745	B16785	B19084-4	A24386	B17094	NOTE1
*2.3760/2.3750	B24664	B19084-7	A24392	—	—

* Pilot Diameter.

INSTALLATION HARDWARE KITS

PART NUMBER	CONTENTS
B19084-1	Four Screws, Hex Hd. 1/2-13 x 3.25; Four Lockwashers, 1/2; One Spring Pin; One Screw, Hex Hd. 3/8-16 x 1.25; One Flatwasher, 3/8; One Lockwasher, 3/8.
B19084-2	Four Screws, Hex Hd. 1/2-13 x 3.25; Four Lockwashers, 1/2; Two Screws, Hex Hd. 10-24 x 1; Two Lockwashers, #10.
B19084-3	Four Screws, Hex Hd. 1/2-13 x 3.25; Four Lockwashers, 1/2; Two Screws, Hex Hd. 3/8-16 x 1.25; Two Lockwashers, 3/8.
B19084-4	Four Screws, Hex Hd. 1/2-13 x 3.25; Four Lockwashers, 1/2; Two Screws, Hex Hd. 3/8-16 x 1.25; Two Lockwashers, 3/8.
B19084-6	Four Screws, Hex Hd. 1/2-13 x 3.25; Four Lockwashers, 1/2; Two Screws, Hex Hd. 3/8-16 x 1.25; Two Lockwashers, 3/8.

NOTE1 Installation Hardware for Rotor P/Ns B17088 Through B17094 Consist of Two Set Screws, Oval Point, 10-32 x 1/4 with Chemical Thread Locking Adhesive.

INSTALLATION

In preparation for installing the Avtron SLAPTach™ Pulse Generator, it is first necessary to clean both the accessory motor shaft and the mounting face. These surfaces must be inspected and paint, burrs, and other surface imperfections removed. Coat the cleaned surfaces with a light grade of oil.

Position the rotor on the shaft and tighten with the hardware indicated. The B16782 uses a roll pin to prevent rotation of the rotor on the shaft. Install the pin in the rotor first, and then position the rotor on the shaft and lightly tap into place. Install the center bolt and flat washer with springlock washer and tighten.

Slide the through shaft type rotor onto the shaft with the set screw hub away from the motor face. Position the rotor .26 +/- .06 inches away from the motor face. Use a chemical fastener on the set screw threads.

STATOR HOUSING INSTALLATION

The stator housing is retained to the motor using four 1/2-13 x 3-1/4 inch bolts and spring type lock washers (not furnished). If the stator is to be sandwich mounted between an accessory such as a fan and the motor, select the bolt length accordingly. Carefully move the stator housing into position, trying to avoid contact with

the rotor. Install the four mounting bolts and torque 30 to 35 foot pounds.

WIRING

Electrical connections are made to the SLAPTach™ Pulse Generator through standard 1/2" conduit fittings. The nipple length may be changed to extend the outlet box if desired. Care must be taken not to allow an over-threaded nipple to penetrate the pulse generator housing by more than 1/2 inch.

The single phase or unidirectional M190A has three wires per output side, color coded red, green, and black. The 2-phase or bidirectional M192A and M192B has four wires per output side. The "A" phase signal (green) will lead the "B" phase signal (blue) for clockwise rotation of the motor shaft as viewed from the anti-drive end.

Interconnection cables specified in the wiring diagrams below are based on typical applications. Reference system drawings for specific cable requirements where applicable. Physical properties of cable such as abrasion, temperature, tensile strength, solvents, etc., are dictated by the specific application. General electrical requirements are: stranded copper, 22 thru 16 gauge; braid or foil with drain wire shielding, 0.05 M maximum total mutual or direct capacitance; outer sheath insulator, 1,000 ft. maximum.

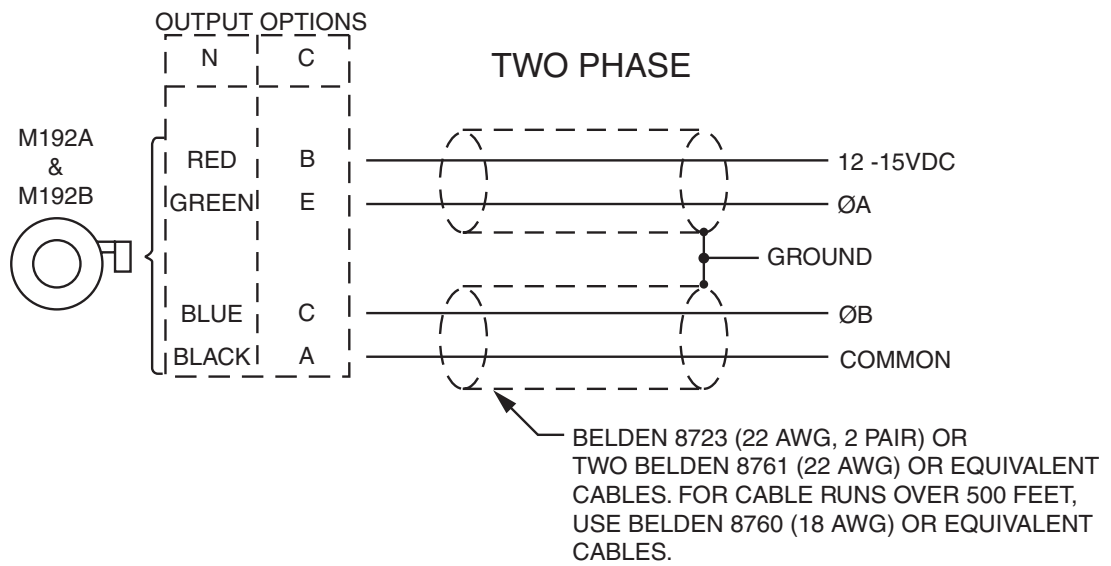
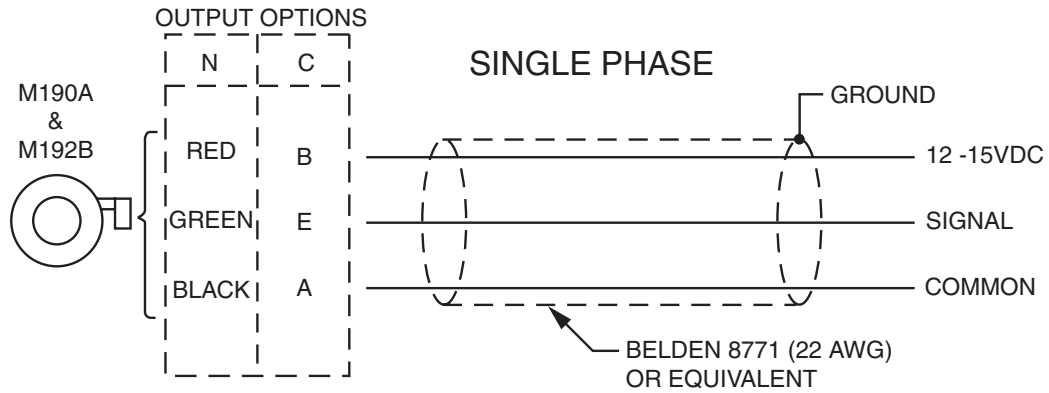
SPECIFICATIONS:

ELECTRICAL	M190A UNIDIRECTIONAL	M192A/M192B BIDIRECTIONAL
OPERATING POWER	12-15 VDC, 50mA	12-15VDC, 50mA
PULSES PER REVOLUTION	240	240
MAX. FREQUENCY OUTPUT	20 KILOHERTZ	20 KILOHERTZ
SPEED RANGE	0-5000 RPM	0-5000 RPM
OPERATING TEMPERATURE	-10°F TO 180°F	-10°F TO 180°F
OUTPUT SIGNAL	SINGLE PHASE	TWO PHASE QUADRATURE
WAVE SHAPE	SQUARE WAVE	SQUARE WAVE
VOLTAGE OUTPUT	LOW: 0.5 VOLTS MAXIMUM 35 mA SINK HIGH: SUPPLY VOLTAGE MINUS 1 VOLT (NO LOAD) 1000 OHM PULL-UP	LOW: 0.5 VOLTS MAXIMUM 35mA SINK HIGH: SUPPLY VOLTAGE MINUS 1 VOLT (NO LOAD) 1000 OHM PULL-UP
DUTY CYCLE	50/50 ±15%	50/50 ±15%
TRANSITION SEPARATION	NOT APPLICABLE	15% MINIMUM
OUTPUT PROTECTION	SHORT CIRCUIT PROTECTED TO COMMON OR + SUPPLY AND POWER REVERSAL	SHORT CIRCUIT PROTECTED TO COMMON OR + SUPPLY AND POWER REVERSAL
WEIGHT	9 POUNDS WITHOUT ROTOR 13 POUNDS WITH ROTOR	9 POUNDS WITHOUT ROTOR 13 POUNDS WITH ROTOR

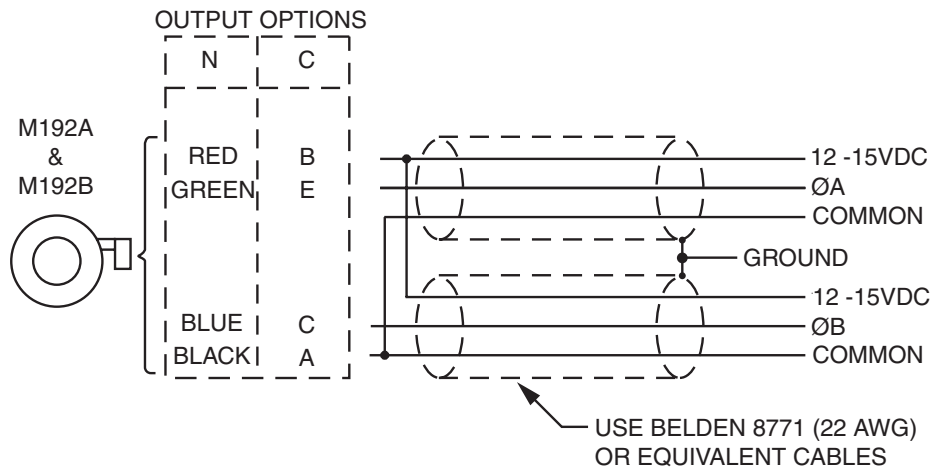
NOTE: AVTRON STANDARD WARRANTY APPLIES.
COPIES AVAILABLE UPON REQUEST.

SPECIFICATIONS SUBJECT TO CHANGE WITHOUT NOTICE

WIRING DIAGRAMS

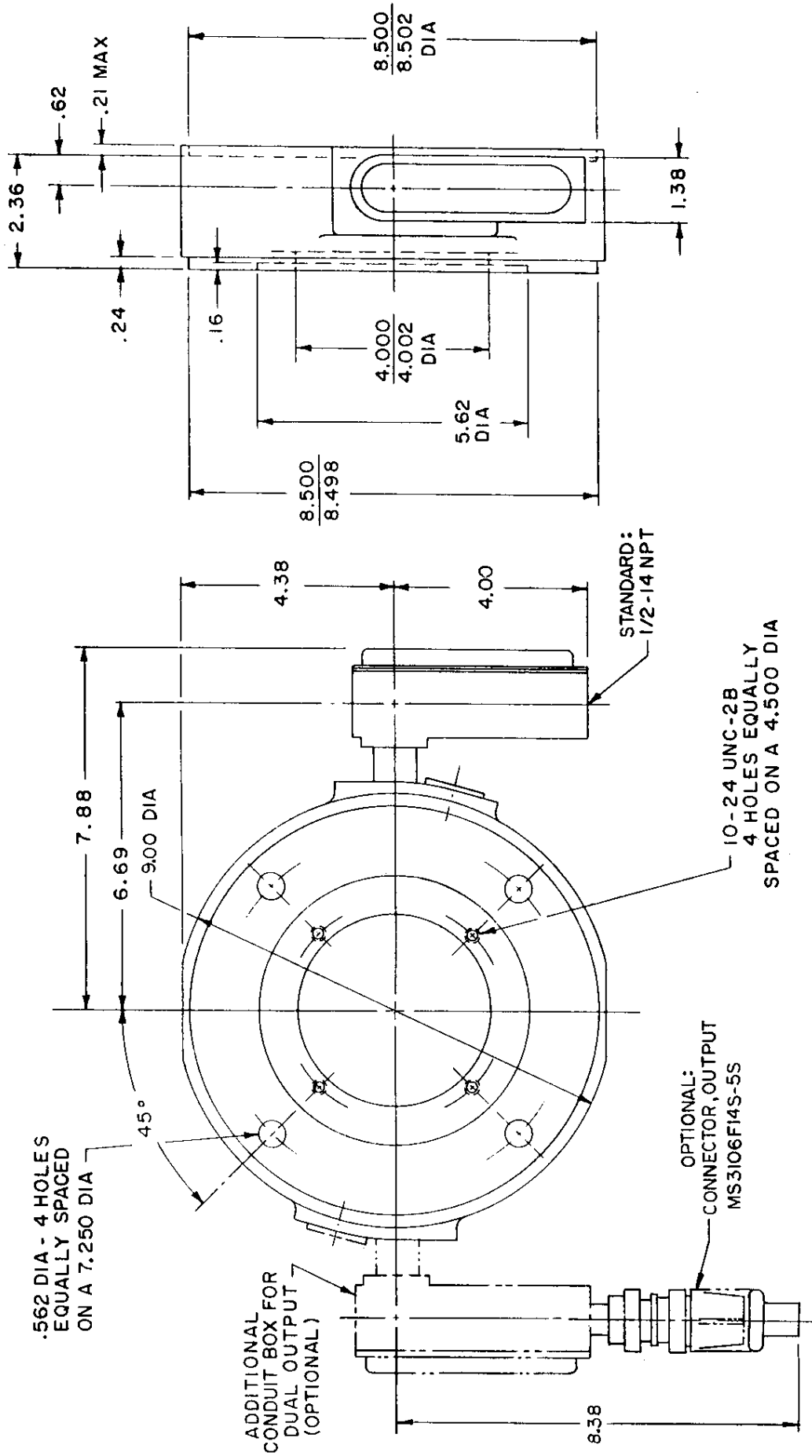


WIRING FOR M182 REPLACEMENT



(WIRING USES EXISTING M182 CABLE.
NOTE SUPPLY VOLTAGE REQUIREMENTS)

NOTE: The M192B is used as a replacement for M190A and M192A applications. M1902WDMAC



ALL DIMENSIONS ARE IN INCHES



INDUSTRIAL AUTOMATION, INC.

8901 E. PLEASANT VALLEY RD., INDEPENDENCE, OH 44131, U.S.A. • (216) 642-1230 • FAX (216) 642-6037 • www.avtronencoders.com

REV.-D