



8901 E. PLEASANT VALLEY ROAD
 INDEPENDENCE, OHIO 44131-5508
TELEPHONE: (1) 216-642-1230 • **FAX:** (1) 216-642-6037
E-MAIL: tachs@avtron.com • **WEB:** www.avtronencoders.com

Encoder Instructions

M3-1 and M3-2
 INACTIVE DESIGN
 Replaced by Model AV485

5/8" SOLID SHAFT

DESCRIPTION

The Avtron Model M3-1 and M3-2 Solid Shaft Encoders are speed and position incremental transducers (also known as tachometers or rotary pulse generators). When coupled to a motor or machine, their output is directly proportional to shaft position (pulse count) or speed (pulse rate). The M3 operates down to zero speed and can be used for both control and instrumentation applications.

Mechanically, the M3-1 mounts on a NEMA 56C adapter flange. The M3-2 can be foot mounted by using an optional foot mounting bracket kit P/N A22232 or P/N A25448.

The enclosures on all Model M3s help protect the internal components from the entry of dust and liquids.

All M3s utilize a photoelectric sensing system. All M3s can be equipped with one or two outputs. Each output is electrically independent and totally isolated. For many applications this feature provides a running spare output by simply interchanging the output connectors.

These outputs are available as single phase; two-phase (A,B) 90° apart for direction sensing; with complements (\bar{A} , \bar{B}), (A Quad B Output), and with marker pulse (\bar{Z} , \bar{Z}). Output resolution is determined by the PPR (pulses per revolution), times a sensor multiplier. An auxiliary output is available (C, \bar{C}) at 1/4 the base PPR for instrumentation.

Refer to separate instructions for additional information on the shaft grounding option.

INSTALLATION

Equipment needed for installation

Supplied:

1. M3 Encoder
2. Anti-Seize Compound (copper)

Not Supplied for NEMA 56C Face Mounting:

- | | |
|---|--|
| Hex Head Bolt 3/8-16 x 1.00 (8) | 9/16" Hex Wrench Socket or open end style |
| Washer, Flat 3/8 (8) | Shaft Coupling |
| Washer, Lock 3/8 (8) | Motor Adapter Flange |
| Various bolts, wrenches, flats and lock washers for motor side of flange adapter. | Dial Indicator |
| Thread Locker (Loctite 242 recommended) | |

Optional:

- Foot Bracket Mounting Kit (A22232/A25448)
(see foot mounting instructions for additional hardware required)

DRIVE INSTALLATION INSTRUCTIONS

Do not use a timing belt, pulley, chain, or sprocket to drive M3s.

Use a flexible disc coupling and align the shafts as accurately as possible. EXAMPLE: For a size 62 Thomas Miniature Coupling angular misalignment must be less than 1.34°, parallel misalignment less than 0.028", and axial float less than ±0.031". Overhung loads should also be minimized. If a rubber slinger disc is used, position it on the shaft so it will rotate freely.

CAUTION

Do not force or drive the coupling onto the shaft, or damage to the bearings may result. The coupling should slide easily on the shaft. Remove nicks and burrs if necessary. Consider shaft endplay when positioning coupling.

For more details on alignment specifications, measurement techniques, and special considerations in specifying and installing drive components, refer to separate installation instructions in the Avtron PULSE GENERATOR HANDBOOK.

M3 PART NUMBERS AND AVAILABLE OPTIONS

| Model | Mounting Style | Shaft Style | Line Driver | Output Location | Base PPR | Connector | Modifications |
|-------|--|--|--|---|--|-----------|--|
| M3- | 0- Non-Standard 1- Face Mount 5/8" x 2" shaft 2- Foot Mount 5/8" x 2.64" (2" net) shaft | S- Single Ended Shaft G- Shaft Ground | 1- 5 to 24 VDC 2- 5 to 18 VDC 3- 18 to 24 VDC 4- 5 to 24 V in, 5 V out | L- Single output left side R- Single output right side D- Dual output | 240 600 256 1024 360 1200 480 2048 500 2500 512 | | 000- None 005- -40° C Rating 009- Northstar pinout (mini-Epic) 030- Dynapar Pinout (MS) |

Connector

| 10 Pin Connector | | | 6 Pin MS | 5 Pin MS | Conduit Box | 3 ft. Flex. Cable |
|--|---|---|---|--|---|---|
| MS | MS mini | EPIC | M940 replacement D- with Plug ^b | M737A replacement E- without Plug ^s F- with Plug ^s M727A replacement H- without Plug ^s J- with Plug ^s | N- with color coded leads T- with Terminal Block | W- Sealed, Pigtail X- Sealed, Industrial Connector without Plug Z- Sealed, Industrial Connector with Plug |
| A- without Plug ^s B- with Flex. Conduit Adapter ^s C- with Plug ^s G- K927B replacement with Plug ^s | K- with Flex. Conduit Adapter ^b L- elbow with Plug ^b M- without Plug ^b | S- Baldor on 3 ft. Pigtail P- with Plug V- without Plug | | | | |

^s side exit ^b bottom exit

NEMA 56C FACE MOUNTING INSTRUCTIONS

- 1) Disconnect power from equipment and encoder cable.
- 2) Apply anti-seize compound to inner circumference of coupling (both motor and encoder side).
- 3) Loosen set screws in coupling and apply thread locker to set screws.
- 4) Place coupling on motor shaft, inserting to depth per manufacturer's instructions.
- 5) Attach coupling to motor shaft using set screws per manufacturer's instructions.
- 6) Bolt mounting flange (flowerpot) to motor C-Face, using thread locker with fasteners.
- 7) Slide encoder shaft into other side of coupling. **DO NOT FORCE.** Ensure 1/4" keyway aligns with coupling set screw location.
- 8) Ensure C-Face on mounting flange matches and aligns with encoder C-Face precisely.
- 9) Apply thread locker to hex cap screws.
- 10) Align bolt holes of encoder and flange, thread in (4) hex cap screws, using lock washers.
- 11) Tighten set screws on encoder side of coupling.

FOOT MOUNTING INSTRUCTIONS

Equipment needed for installation

Supplied:

- | | |
|--|---|
| 1. Foot Bracket (A22232/A25448) | 4. Nut, Hex 5/16-18 (4) |
| 2. Hex Head Bolt 3/8-16 x 0.75 (4) | 5. Washer, Flat 5/16 (4) |
| 3. Hex Head Bolt 5/16-18 x 1.50 (4) | 6. Washer, Lock 5/16 (4) |
| | 7. Washer, flat 3/8 (4) Washer, lock 3/8 (4) |

Not Supplied:

- 1/2" Wrench
- 9/16" Hex Wrench (socket or open end style)
- Dial Indicator

The optional foot mounting bracket kit is Avtron part number A22232 (A25448 for BC46 replacement). Read all of the following instructions and the Avtron PULSE GENERATOR HANDBOOK prior to beginning any work.

The M3 performance and life will be directly affected by the installation. Following this sequence of steps is recommended.

- 1) Disconnect power from equipment and encoder cable.
- 2) The foot mounting bracket must be secured to a flat, rigid, vibration free steel or aluminum base which can be machined to accept 5/16-18 mounting hardware. See next section.
- 3) Temporarily mount the M3 to the foot bracket, install the coupling to the M3 and driver and verify that the location is suitable for installation.
- 4) If the M3 encoder, bracket, and coupling are suited to the area, check motor/encoder shaft alignment with a straight edge from multiple positions around the shaft circumference to verify that it meets specifications.
- 5) While maintaining alignment, precisely mark the position of the foot bracket on its mounting base.
- 6) Remove the M3. Transfer punch or layout the mounting hole pattern as indicated on outline drawing.
- 7) Machine four, 3/8" dia. through holes or tap four, 5/16-18 holes in center of base slots to give some degree of freedom in final alignment.
- 8) Reinstall the M3 with the flexible coupling loosely in place, and tighten down all mounting hardware. Check motor/encoder shaft alignment with a straight edge from multiple positions around the shaft circumference to verify that it meets specifications. Use thread locker supplied on cap screws which mount M3 to foot bracket.
- 9) Ensure any flat or keyway on the motor and encoder shaft are aligned with the set screw holes of the flexible coupling. Apply thread locker to coupling set screws and tighten per manufacturer's recommendations.
- 10) Recheck alignment and tighten all hardware after first several hours of operation.

MINIMIZE DOWNTIME: Should M3 replacement be required, leave the foot mounting bracket installed on its base and mount the new M3 to the bracket. This maintains the original alignment.

SPECIFICATIONS

ELECTRICAL

- A. Operating Power (Vin)
 - 1. Volts..... See Line Driver Options
 - 2. Current 120mA, no load
- B. Output Format
 - 1. 1Ø..... Connector Options H & J
 - 2. 2Ø (A & B)..... Connector Options E & F
 - 3. 2Ø & Comp..... Connector Options A,B,C,M,L,K,V,P,G,
(A,Ā, B,Ḃ) N,T,W,X,& Z (differential line driver)
 - 4. Marker All Options, 1/Rev, Gated with B low
@ and below 1200 PPR
 - 5. ÷4 (C,Ĉ)..... Connector Options A,B,C,M,L,K,V,P,
N,T,W,X,& Z (differential line driver)
- C. Signal Type Incremental, Square Wave, 50 ±10%
Duty Cycle
- D. Direction Sensing ØA leads ØB for CW rotation as viewed
from the back of the tach looking at the
non-drive end of the motor.
- E. Transition Sep..... 15% minimum
- F. Frequency Range 0 to 150,000 Hz.
- G. PPR 240, 256, 360, 480, 512, 600, 1024, 1200,
2048, 2500
- H. See Line Driver Options

MECHANICAL

- A. Shaft Inertia 0.1 oz. In.² (Typ).
- B. Acceleration 5,000 RPM/Sec.
- C. Starting Torque 2.0 oz. In. (Typ).
- D. Speed 5,000 RPM
- E. Weight 6 lbs (2.7kg).
- F. Coupling Required: Thomas Miniature Flex. or Equivalent

ENVIRONMENTAL

- A. Enclosure Rating Sealed against dust and water ingress.
 - B. Operating Temp. -20°* to 85°C
- *-40°C optional

LINE DRIVER OPTIONS

| | Output Options | | | |
|-----------------------------------|---|---|---|---|
| | 1 | 2 | 3 | 4 |
| Voltage Input (Vin) | 5-24 VDC | 5-18 VDC | 18-24 VDC | 5-24 VDC |
| Output High (Volts) | (Vin) -2 (typ) | (Vin) -1 (typ) | 330 ohm pull up | 5 VDC |
| Output High (milliamps) | 80 (max.) | 80 (avg.), 1500 (peak) | 330 ohm pull up | 80 (max.) |
| Output Low (Volts) | 0.5 (typ) | 0.5 (typ) | 1 (max.) | 0.5 (typ) |
| Output Low (milliamps) | 80 (max.) | 80 (avg.), 1500 (peak) | 50 (avg.) | 80 (max.) |
| Protection | Reverse Voltage, Transient, Short Circuit (high & low) | Reverse Voltage, Transient, Short Circuit (none) | Reverse Voltage, Transient, Short Circuit (low) | Reverse Voltage, Transient, Short Circuit (high & low) |
| Maximum Cable Drive (Feet) | 1000 ft. @ 5 V 500 ft. @ 12 V 200 ft. @ 24 V | 2000 ft. | 1000 ft. | 1000 ft. @ 5 V |

Foot Mount Kits

- A22232** - Standard Foot Mount
- A25448** - BC42/46 Foot Mount

WIRING INSTRUCTIONS

CAUTION

Be sure to remove power before wiring the encoder.

Be sure to ground the cable shield: It can be connected to case ground at the encoder, or grounded at the receiving device, but should not be grounded on both ends.

The M3 can be wired for single phase, two-phase, either with or without complements, with or without markers and with or without complementary divide by 4. See connector options and wiring diagrams on the following page.

For bidirectional operation of the encoder, proper phasing of the two output channels is important. Phase A channel leads phase B channel for clockwise shaft rotation as viewed from the anti-drive or accessory end of the motor (M3 mounting end).

CORRECTIVE ACTION FOR PHASE REVERSAL

- 1) Remove Power.
- 2) Exchange wires on cable, either at encoder cable end, or at speed controller end (but not both).
 - a) **Single Ended 2 Phase Wiring** (see wiring diagram)
Exchange A and B at the use end of the wires.

- b) **Differential 2 Phase Wiring** (see wiring diagram)
Exchange **either** A with \bar{A} in the phase A pair **OR** B with \bar{B} in the phase B pair but **NOT** both.

- 3) Apply Power.
- 4) Verify encoder feedback is correct, using hand rotation of shaft, or jog mode of the speed controller.

Interconnecting cables specified in the wire selection chart are based on typical applications. Refer to the system drawing for specific cable requirements where applicable.

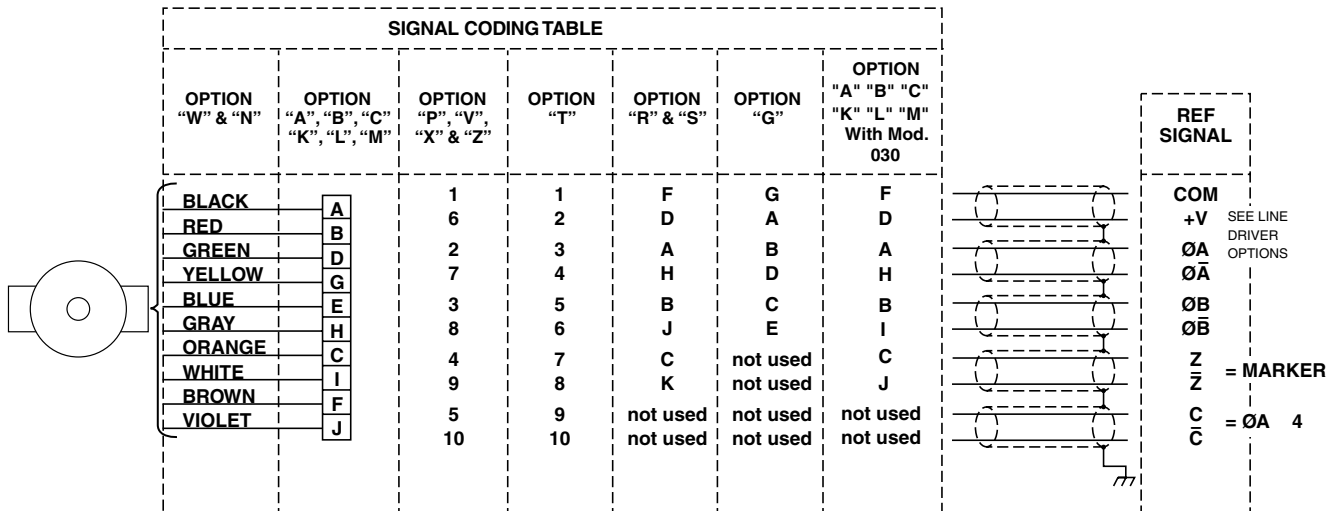
Physical properties of cable such as abrasion, temperature, tensile strength, solvents, etc., are dictated by the specific application. General electrical requirements are: stranded copper, 22 thru 16 gauge (Industrial EPIC Connector options can use 14 AWG), each wire pair individually shielded with braid or foil with drain wire, 0.05 uF maximum total mutual or direct capacitance, outer sheath insulator, 1,000 ft. max. See Wire Selection Chart for some suggested cables.

NOTE

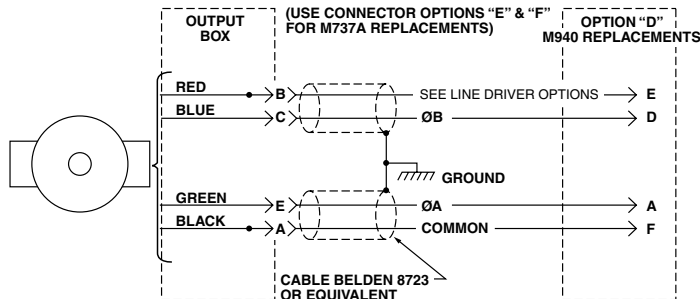
When using the plug-in industrial EPIC connector ("P", "V", "X", "Z" options), the wire ends must be tinned with solder before connection at the screw terminals.

WIRING DIAGRAMS

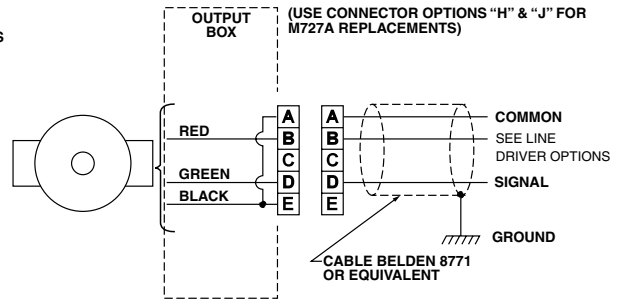
DIFFERENTIAL TWO PHASE WIRING APPLICATIONS (USE CONNECTOR OPTION "L" FOR M738 AND M785 REPLACEMENTS AND CONNECTOR OPTION "G" FOR K927B REPLACEMENT)



SINGLE ENDED TWO PHASE WIRING APPLICATIONS



SINGLE ENDED SINGLE PHASE WIRING APPLICATIONS



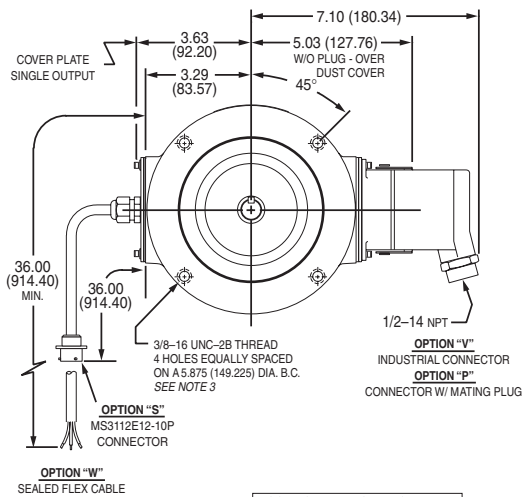
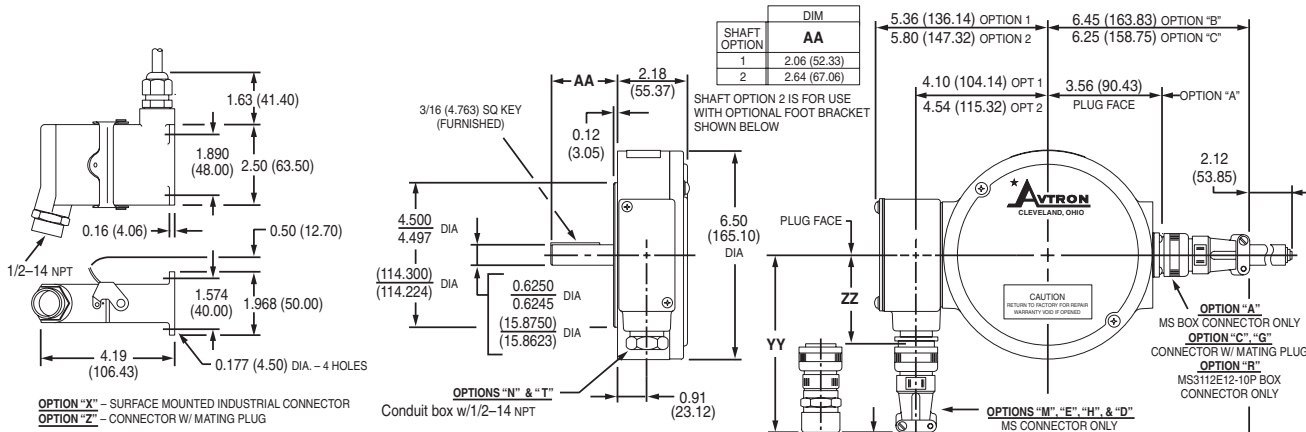
TYPICAL WIRE SELECTION CHART for 18 AWG, multiple pair, individually shielded

| | BELDEN | ALPHA |
|--------|--------|-------|
| 2 PAIR | 9368 | 6062C |
| 3 PAIR | 9369 | 6063C |
| 4 PAIR | 9388 | 6064C |
| 6 PAIR | 9389 | 6066C |

NOTES: Marker output for connector options "E" & "F" - Pin "D"
Marker output for connector options "H" & "J" - Pin "C"

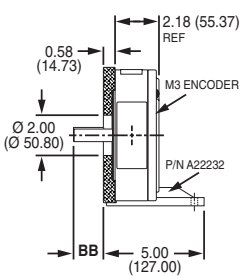
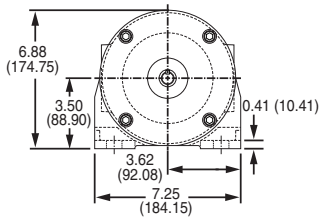
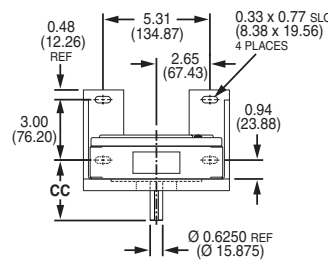
Avtron standard warranty applies. Copies available upon request. Specifications subject to change without notice.

OUTLINE DRAWING

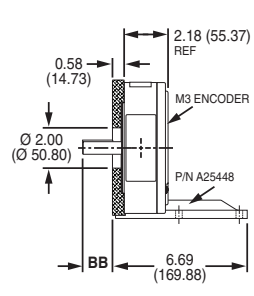
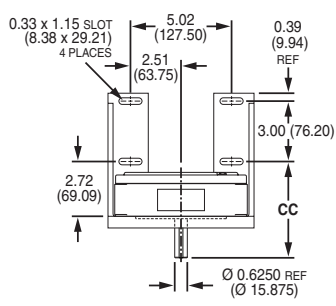


| SHAFT OPTION | FOOT MOUNT BRACKET P/N A22232 | |
|--------------|-------------------------------|--------------|
| | BB | CC |
| 1 | 1.48 (37.59) | 3.00 (76.20) |
| 2 | 2.06 (52.33) | 3.58 (90.93) |

| OPTION | DIMENSION | |
|-----------|---------------|--------------|
| | YY | ZZ |
| E, H, & D | 5.62 (142.75) | 3.34 (84.84) |
| F, J, & K | 5.62 (142.75) | 2.75 (69.85) |
| M | 5.44 (138.18) | 2.75 (69.85) |
| L | 5.44 (138.18) | 2.75 (69.85) |



| SHAFT OPTION | FOOT MOUNT BRACKET P/N A25448 | |
|--------------|-------------------------------|---------------|
| | BB | CC |
| 1 | 1.48 (37.59) | 4.78 (121.41) |
| 2 | 2.06 (52.33) | 5.36 (136.14) |



4 - DIMENSIONS IN PARENTHESIS ARE MILLIMETERS.
 3 - PILOT MOUNTING CONFORMS TO A NEMA 56C FACE.
 2 - ALL DIMENSIONS ARE APPROX.
 1 - WEIGHT: 6 LBS.
 NOTES:

EU DECLARATION OF CONFORMITY: The Model M3 Pulse Generator has been assessed and type tested against the following Harmonized European Standards: EN 50081-1:1992, EN 50082-1:1998. The Model M3 has been found to be compliant with the requirements of EU Directive 89/336/EEC provided that the following conditions are met: The electrical supply to the M3 must be within specified limits. The electrical supply must offer suitable protection from voltage surges unless the application does not require such protection. On behalf of Avtron Industrial Automation, Inc.: Stephen L D'Henin, Certification Manager, Epsilon Certification Service.

Features and specifications subject to change without notice.
 Avtron standard warranty applies. All dimensions are in inches (mm) approx.



INDUSTRIAL AUTOMATION, INC.

8901 E. PLEASANT VALLEY RD., INDEPENDENCE, OH 44131, U.S.A. • (216) 642-1230 • FAX (216) 642-6037 • www.avtronencoders.com



REV. 06-03-08