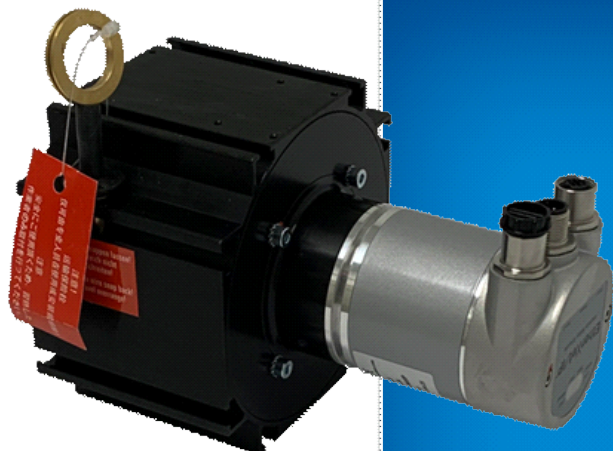


# Avtron DW6 Draw Wire Encoders



**AV6 Draw Wire Combo Kits,  
Absolute Linear Measurement  
5m - 15m**

## The Linear Measurement Standard

- | Linear Measurements from 5 m - 15 m
  - | Includes Avtron AV6 encoder
  - | Resists Dust, Dirt, and Liquids
  - | Stainless Steel Measuring Wire
    - | Eyelet Wire Mounting
    - | Simple Installation
  - | 2 Year No-Hassle Warranty

## DW6

Have an application that requires linear motion measurement? Then the Avtron DW6 Draw Wire is perfect for you! All the benefits of the Avtron AV6 absolute encoder combined with our rugged draw wire adapter allows for distance measurement in your application.

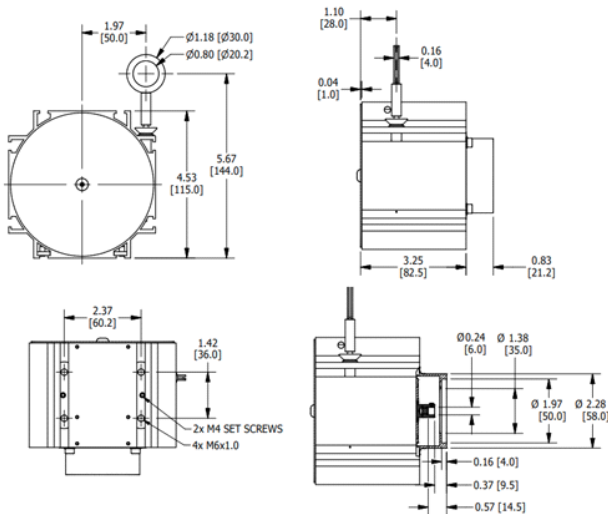
The Avtron DW6 includes the Avtron AV6 58 mm synchro flange absolute encoders, like the Avtron AV6A and AV6M!

Avtron AV6 absolute rotary encoders have superior shaft seals and bearings that stay sealed to keep contaminants out, despite temperature cycles or liquid sprays. Our encoder seals are protected by mechanical barriers to prevent flexing or failure. Avtron's superior bearings permit much larger side and axial loads.

Available in both optical and magnetic, the Avtron AV6 is designed with superior shaft seals and bearings that stay sealed to keep contaminants out, even through temperature cycling and liquid sprays.

Available as a fully configured encoder/draw wire combo kit! Order yours today!

## OUTLINE DRAWING



## MORE DW6 ADVANTAGES

- Ultra-long-life internal gearbox
- 20 °C to 80 °C Operating Temp.
- Draw Wire kit comes complete with Avtron AV6 absolute encoder
- More than 2X the axial and side load capability compared to the competition

## DW6 SPECIFICATIONS

### AV6A/AV6M

Please visit the AV6A/AV6M webpage for more information

### Draw Wire\*

**Measurement Length:** 16.4 ft - 49.21 ft [5 m - 15 m]\*\*

**Length per Revolution:** 12.4 in [315 mm]

**Material:** Housing - Aluminum Wire - Coated Polyamide Stainless Steel

**Max. Speed Wire Displacement:** 6.56 ft/s [2 m/s]

**Max. Wire Acceleration:** 3 G

**Wire Retraction Force (min):** 0.89 lbs - 1.80 lbs [4 N - 8 N]\*\*

**Wire Extension Force (max):** 3.59 lbs - 5.62 lbs [16 N - 25 N]\*\*

**Wire Mounting:** Eyelet

**IP Rating:** IP65 Standard\*\*\*

**Weight:** 2.65 lbs - 7.72 lbs [1200 g - 3500 g]\*\*

\*Specs are exclusively for draw wire adapter. See AV6 for encoder specs.

\*\*Range depending on adapter unit

\*\*\*May change depending on encoder unit

Check out our website for more detailed specifications, drawings, and installation instructions. [www.avtronencoders.com](http://www.avtronencoders.com)

## SELECTION GUIDE

Part Number	Sensor Type	Material	Bus	Turns/Bits	PPR/Bits per Turn	Measurement Length	Connector	Connector Exit	Output	IP Rating
DW6AMR26GC01A000	Optical	Metal	Ethernet/IP	4096/12	65536/16	5 m	3 x M12	Radial 0	Binary	IP65
DW6AMR26KC01A000	Optical	Metal	Ethernet/IP	4096/12	65536/16	15 m	3 x M12	Radial 0	Binary	IP65



Nidec Industrial Solutions  
243 Tuxedo Avenue - Cleveland, Ohio 44131

encoderhelpdesk@nidec-industrial.com  
+1 216-642-1230 - [www.avtronencoders.com](http://www.avtronencoders.com)



Features and specifications are subject to change without notice.  
EU-SMART™, SMARTSafe™, SMARTTach™, THIN-LINE™, WIDE-GAP™, SAFETach™ and BULLSEYE32™ are trademarks of Nidec Industrial Solution.  
All other trademarks and registered trademarks are the property of their respective owners. Nidec Industrial Solutions' standard warranty applies.  
All dimensions approximate.