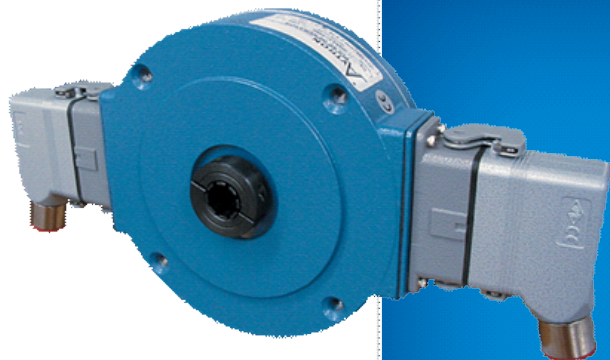


Avtron M3-(3-5, A-F) Small Bore Encoders



M3 small bore hollow shaft encoders, replaced by HS45

**Obsolete, Replaced by
HS45**

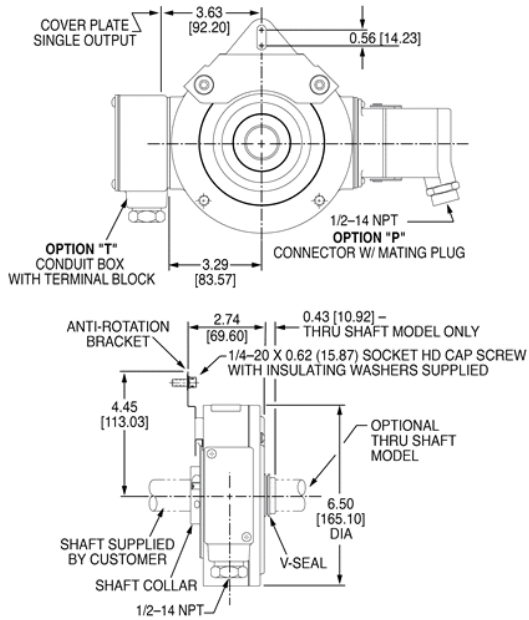
- | No Longer Available-See HS45
- | See documents tab for HS45 upgrade details and benefits

M3(SMALL)

Avtron M3 small bore hollow shaft encoders were replaced by the upgraded [HS45](#) model. Looking for solid shaft M3-1 and M3-2 models? They were replaced by the severe duty [AV485](#) upgrade encoder. Use our [cross reference page](#).

Also available: Large bore M3 and M4 encoders for applications 1 1/2" - 2 3/8" [48-60mm], and heavy mill duty HS45 and severe duty AV685 encoders.

OUTLINE DRAWING



MORE M3(SMALL) ADVANTAGES

- ┆ No longer available-see HS45
- ┆ Auxiliary channel offers separate low frequency outputs (1/4) at no extra charge on each output
- ┆ Marker Pulse Standard
- ┆ Electrically isolated shafts available
- ┆ Optional stub shaft kits for GE motors, 180-6000 Frame
- ┆ Available C-Face tether kits (4.5" to 16")
- ┆ Available threaded rod torque arm
- ┆ Optional OSHA finger guard

M3(SMALL) SPECIFICATIONS

Operating Power: 5-24 VDC; Current 120mA, no load

Output Format: A,A-, B,B-, C,C-; Marker Z,Z-

Frequency Range: 0 to 150 KHz

PPR: 240-2500

Speed:

- ┆ 5000 RPM Max. Std., shafts 5/8" to 1 5/8"
- ┆ 3600 RPM Max. Std., shafts 2" to 2 3/8"

(for higher speeds, consult factory)

Temperature: -40°* to 85°C (*-20° standard)

Chemical: Polyurethane enamel paint protects against salt spray, mild acids, and bases

Weight: 7 lbs.

Check out our website for more detailed specifications, drawings, and installation instructions. www.avtronencoders.com

All dimensions are in inches [millimeters].

Specifications and features are subject to change without notice.

* See instruction sheet for full list.

SELECTION GUIDE

M3 PART NUMBERS AND AVAILABLE OPTIONS

| Model | Bore Size | Mounting Style | Line Driver | Output Location | PPR | Connector | Modifications |
|------------------|---|--|---|---|--|---|--|
| M3- | 0- Non-Standard 3- 5/8" B- 12mm A- 3/4" C- 16mm 4- 1" F- 25mm 5- 1 1/8" | S- End of Shaft T- Thru Shaft G- End of Shaft with Grounding | 1- 5 to 24 VDC 2- 5 to 18 VDC 3- 18 to 24 VDC 4- 5 to 24 V in, 5 V out | L- Single output left side R- Single output right side D- Dual output | 240 600 256 1024 360 1200 480 2048 500 2500 512 | | 000- None 003- Torque Arm Mount 005- -40° C Rating 008- 4.5" C-Face Mount 009- Northstar Pinout 015- Stainless Steel Shaft 016- 8.5" C-Face Mount 023- Dynapar Pinout (M6) 026- 12.5" C-Face Mount 035- Insulated Shaft |
| Connector | | | | | | | |
| 10 Pin Connector | | | 6 Pin MS | | 5 Pin MS | | Conduit Box |
| A- without Plug* | K- with Flex. Conduit Adapter* | S- Baldor Twist Lock on 3 ft. Pigtail | P- with Plug V- without Plug | M940 replacement D- with Plug* | M737A replacement E- without Plug* F- with Plug* M727A replacement H- without Plug* J- with Plug* | N- with color coded leads T- with Terminal Block | W- Sealed, Pigtail X- Sealed, Industrial Connector without Plug Z- Sealed, Industrial Connector with Plug |

* side exit ◻ bottom exit



Nidec Industrial Solutions
243 Tuxedo Avenue - Cleveland, Ohio 44131

encoderhelpdesk@nidec-industrial.com
+1 216-642-1230 - www.avtronencoders.com



Features and specifications are subject to change without notice.
EU-SMART™, SMARTSafe™, SMARTTach™, THIN-LINE™, WIDE-GAP™, SAFETach™ and BULLSEYE32™ are trademarks of Nidec Industrial Solution.
All other trademarks and registered trademarks are the property of their respective owners. Nidec Industrial Solutions' standard warranty applies.
All dimensions approximate.