

Avtron SC65 Absolute Encoder



Avtron SC65 Compact Absolute Sin-Cosine + SSI Encoder

Regain Protocol Flexibility!

- | Sine-Cosine Output for Velocity Control
 - | SSI Output for Position Control
 - | No Proprietary Protocol Required
- | Industry-Standard Mounting Flanges
 - | Stainless Steel Shaft
 - | 2-Year Warranty

SC65

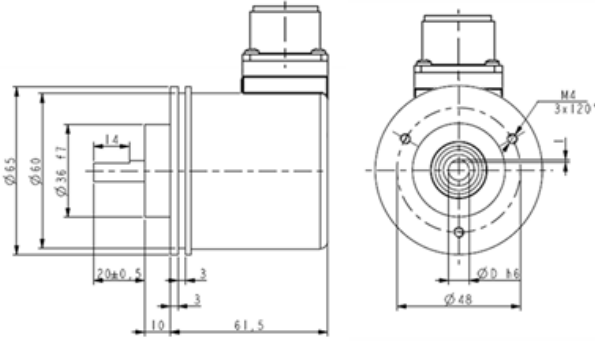
The SC65 Sine-Cosine encoder offers unique combinations of output signals not found in ordinary absolute encoders. It combines SSI output with sine-cosine incremental output. The sine-cosine signals enable smooth and effective torque and velocity control. The SSI absolute multiturn output gives positioning accuracy without the use of proprietary protocols.

The SC65 is designed for a variety of industrial applications, including wind power blade pitch controls, elevator motors, and other applications which require speed, position, and torque control all from a single device.

The SC65 features industry-standard flanges, shafts, and connectors, including pinout matching. This allows direct replacement of competitors units without mechanical redesign, without wiring changes. Even better, if there are wiring errors, the SC65 survives short circuits and reverse wiring polarity.

Competitive Sine-Cosine encoders limit your flexibility and lock you into proprietary protocols. Set your application free with SC65!

OUTLINE DRAWING



MORE SC65 ADVANTAGES

- | Absolute encoder with Sine/Cosine output
- | Compact housing
- | Free SSI parameters setting
- | Programmable scaling factor & Teach-in function
- | Up to 16384 turns
- | 1V p-p standard sine-cosine
- | Resistant to Magnetic Brake Fields

SC65 SPECIFICATIONS

Operating Power: Volts: 10 - 30 VDC
Output Formats: Gray, Binary, BDC; Sine/Cosine: 2048cpr
Accuracy: +/-0.007°
Temperature: -25° to 85°C
Environment: IP67, IP65 shaft side
Speed: 6000 RPM max.
Shaft Load: 40N max.
Vibration: 10G, 5-2000Hz
Shock: 100g, 6mS
Weight: 0.6lb [300g]

All dimensions are in inches [millimeters].
 Specifications and features are subject to change without notice.

Check out our website for more detailed specifications, drawings, and installation instructions. www.avtronencoders.com

SELECTION GUIDE

SC65 CONFIGURATION										
Model	Bus	Flange	Shaft Size	Turns/bits	PPR/bits per turn	Connector	Connector Exit	Output	IP Rating	Special Option
SC65	S- SSI G- Sin/Cos+ SSI	B- 65mm housing w/36mm male pilot	C- 10mm dia. X 20mm w/flat	Z- 4096/12	Z- 4096/12	M- 23/12pin Hengstler pinout	A- side/radial	Z- Gray	B- IP67	001- push-button middle position



Nidec Industrial Solutions
 243 Tuxedo Avenue - Cleveland, Ohio 44131
encoderhelpdesk@nidec-industrial.com
 +1 216-642-1230 - www.avtronencoders.com



Features and specifications are subject to change without notice.
 EU-SMART™, SMARTSafe™, SMARTTach™, THIN-LINE™, WIDE-GAP™, SAFETach™ and BULLSEYE32™ are trademarks of Nidec Industrial Solution.
 All other trademarks and registered trademarks are the property of their respective owners. Nidec Industrial Solutions' standard warranty applies.
 All dimensions approximate.