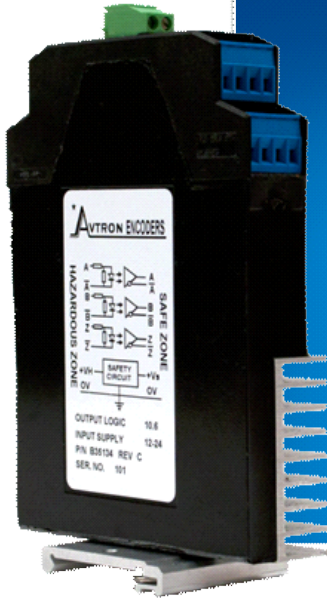


Avtron XRB1 Intrinsic Safety Isolator



Isolator for Level 1
Applications of Avtron
SMARTSafe™ Incremental
Encoders

Avtron XRB1 Intrinsic Safety Isolator

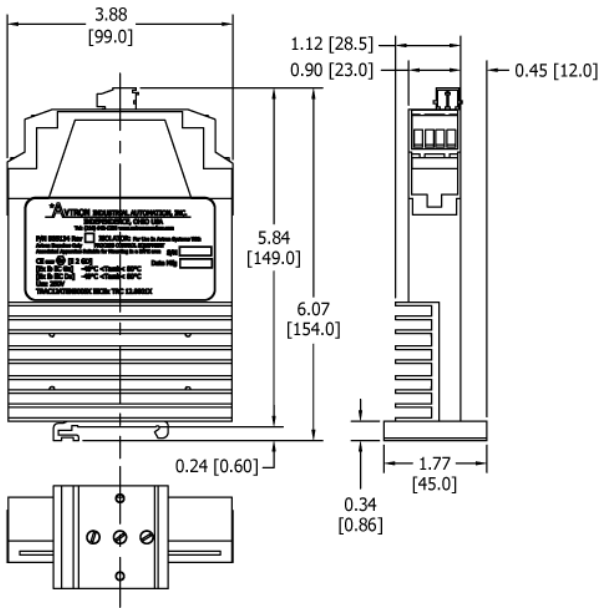
- | 3 Year No-Hassle Warranty
- | Obsolete, replaced by XRB2

XRB1

XRB1 Isolators provided electrical isolation for XR encoders.

XRB1 Isolators are fully replaced by XRB2 Isolators for all applications.

OUTLINE DRAWING



MORE XRB1 ADVANTAGES XRB1

- Provides Level 1 Encoder Protection
- Obsolete, replaced by XRB2

SPECIFICATIONS

Operating Power: 12-24V, nom. 150mA (w/SMARTSafe™ encoder); max 440mA
Output Voltage: 10.6V nom.
Output Format: Incremental A Quad B with marker (A,A-, B,B-, Z,Z- quadrature)
Frequency Range: 0 to 165 KHz
Maximum Cable Length: 1000' [300m] XRB1 to control; 500' [120m] XRB1 to encoder
Temperature: -40°C to 80°C (Storage -40°C to 100°C)
Environmental: IP54, cabinet mount
Vibration: 5-2000Hz, 18Gs
Weight: 1.1 lbs. [0.5 kg]

Certifications: CE 0539 Ex [II 2 GD]
 ATEX/IECEx Zone 1: Group II, Category 2, Gas Group IIC; [Ex ib IIC Gb]
 ATEX/IECEx Zone 21: Group II, Category 2, Dust Group IIIC; [Ex ib IIIC Db]

Check out our website for more detailed specifications, drawings, and installation instructions. www.avtronencoders.com

SELECTION GUIDE

Model	Rating
XRB1	1-Atex Zone 1 & 21



Nidec Industrial Solutions
 243 Tuxedo Avenue - Cleveland, Ohio 44131

encoderhelpdesk@nidec-industrial.com
 +1 216-642-1230 - www.avtronencoders.com



Features and specifications are subject to change without notice. EU-SMART™, SMARTSafe™, SMARTTach™, THIN-LINE™, WIDE-GAP™, SAFETach™ and BULLSEYE32™ are trademarks of Nidec Industrial Solution. All other trademarks and registered trademarks are the property of their respective owners. Nidec Industrial Solutions' standard warranty applies. All dimensions approximate.